

General Specifications

Model FC0A
Output Isolator
(Current I/O Type)

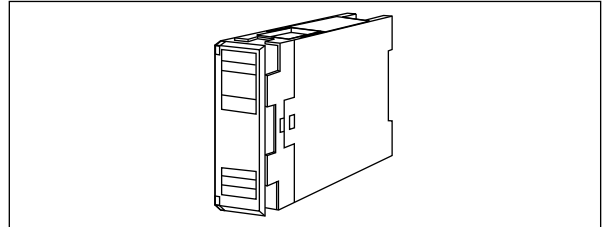
JUXTA

GS 77J08C10-01E

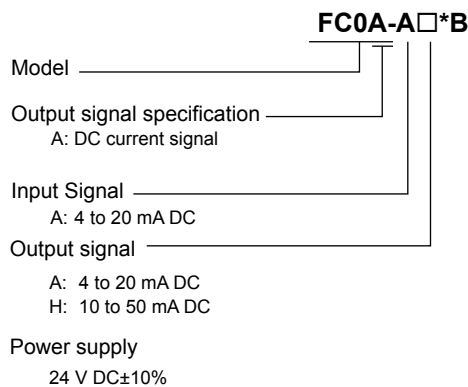
■ General

The FC0A is a compact, front terminal connection type output isolator that receives 4 to 20 mA signals, and converts them into 4-to-20 mA or 10-to-50 mA DC current signals.

- When a load circuit opens, input resistance increases rapidly to 32k or more so as to detect the open state through the input device.



■ Model and Suffix Codes



■ Ordering Information

Specify the following when ordering.

- Model and suffix codes: e.g. FC0A-AA*B
Note: It is a custom order if necessary to be mounted into F-RACK (X025).

■ Input/Output Specifications

Input signal: 4 to 20 mA DC
 Internal drop voltage:
 5 V DC or less (4 to 20 mA DC outputs)
 14 V DC or less (10 to 50 mA DC outputs)
 Maximum allowable input: 40 mA or less
 Output signal: DC current signal
 Allowable load resistance:
 750Ω or less (4 to 20 mA DC outputs)
 300Ω or less (10 to 50 mA DC outputs)

■ Standard Performance

Accuracy rating:
 ±0.1% of span (4 to 20 mA DC outputs)
 ±0.3% of span (10 to 50 mA DC outputs)
 Response speed: 150 ms, 63% response (10 to 90%)
 Insulation resistance: 100 MΩ or more at 500 V DC
 between input and output, output and
 power supply, and input and power supply.
 Withstand voltage: 1500 V AC/min. between (input
 and power supply) and output.
 500 V AC/min. between input and power
 supply.

■ Environmental Conditions

Operating temperature range: 0 to 50°C
 Operating humidity range: 5 to 90% RH (no conden-
 sation)
 Power supply voltage: 24 V DC±10% (percentage rip-
 ple is 5%p-p or less)
 Effect of power supply voltage fluctuations: ±0.1% or
 less for the fluctuation within the operating
 range of power supply voltage specifica-
 tion
 Effect of ambient temperature change: ±0.2% of span
 or less for a temperature change of 10°C
 Current consumption: 24 V DC 60 mA

■ Mounting and Dimensions

Material: ABS resin (Case body)
 Mounting method: Rack, Wall or DIN rail mounting
 Connection method: M4 screw terminals
 External dimensions: 72 × 24 × 127 mm (H x W x D)
 Weight: DC; Approx.130 g

■ Standard Accessories

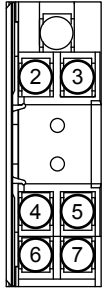
Tag number label: 1
 Mounting block: 2
 Mounting screw: M4 screw x 2

■ Custom Order Specifications

Mounting into the F-RACK (X025)

Note that the terminal assignments are different from that of standard.(See the table below)

■ Terminal Assignments

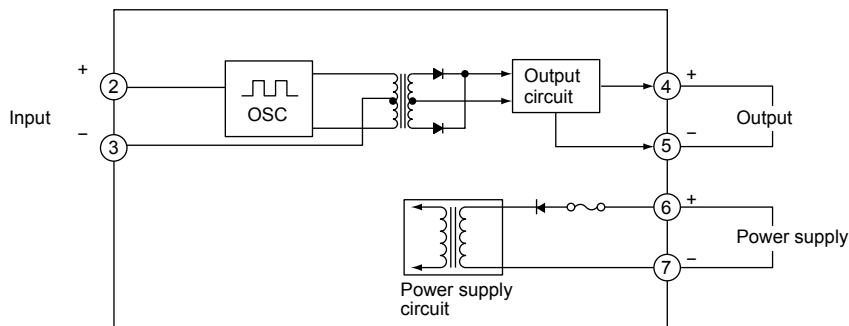


2	Input (+)
3	Input (-)
4	Output (+)
5	Output (-)
6	Supply (+)
7	Supply (-)

F-RACK(X025) mounting type (Custom order)

2	Output (+)
3	Output (-)
4	Input (+)
5	Input (-)
6	Supply (+)
7	Supply (-)

■ Block Diagram



■ External Dimensions

